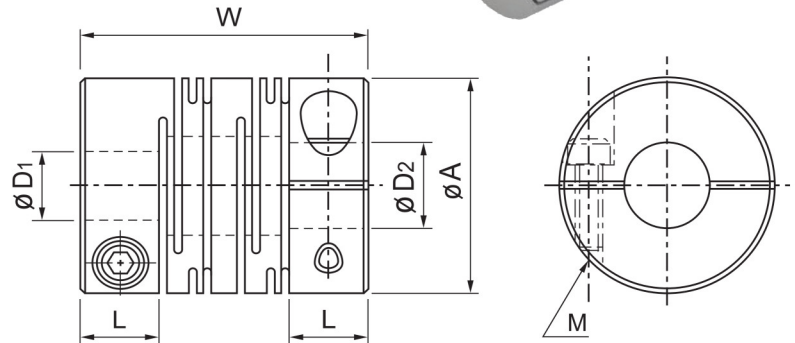


## MFC-C Flex couplings

- **Body material** : Aluminum alloy
- **Surface Treatment** : Anodizing standard white

### ■ Features

- One-body shape
- Zero backlash
- High rigid
- Suitable for encoder , low horsepower transmission bodies and high precision transmission mechanism.
- High deflection
- **Fixed mode** : Clamp type



## DIMENSION

unit:mm

Product No	A	L	W	Stock Bores D1xD2 (H8)		M
				Min D1	Max D2	
MFC-16C	16	6.5	23	5	6	M2.5
MFC-20C	20	7.5	26	5	8	M2.5
MFC-25C	25	8.5	31	5	10	M3
MFC-32C	32	12	41	6	14	M4
MFC-40C	40	17	56	8	16	M5
MFC-50C	50	21	71	12	18	M6

## SPECIFICATIONS

\*Max. Bore Moment of Inertia

\*\*Max. Bore Mass

Product No	Rated Torque (N.m)	Max. Torque (N.m)	Max. Rotational Frequency (min <sup>-1</sup> )	Moment* of Inertia (kg.m <sup>2</sup> )	Error of Eccentricity (mm)	Errors of Angularity (°)	Errors of Shaft End-play (mm)	Mass** (g)
MFC-16C	0.3	0.6	9500	3.4X10 <sup>-7</sup>	0.10	2°	± 0.4	9.1
MFC-20C	0.5	1.0	7600	8.6X10 <sup>-7</sup>	0.10	2°	± 0.4	16.5
MFC-25C	1.1	2.2	6100	2.2X10 <sup>-6</sup>	0.15	2°	± 0.5	29
MFC-32C	2.0	4.0	4800	9.0X10 <sup>-6</sup>	0.15	2°	± 0.5	67
MFC-40C	5.0	10.0	3800	2.8X10 <sup>-5</sup>	0.20	2°	± 0.5	138
MFC-50C	10.0	20.0	3100	1.1X10 <sup>-4</sup>	0.20	2°	± 0.5	260

### ■ When Ordering

When Placing an order, make sure to include product No. and stock bores (both sides) of product.

MFC-25C-φ8 – φ10 Product No : D1 D2