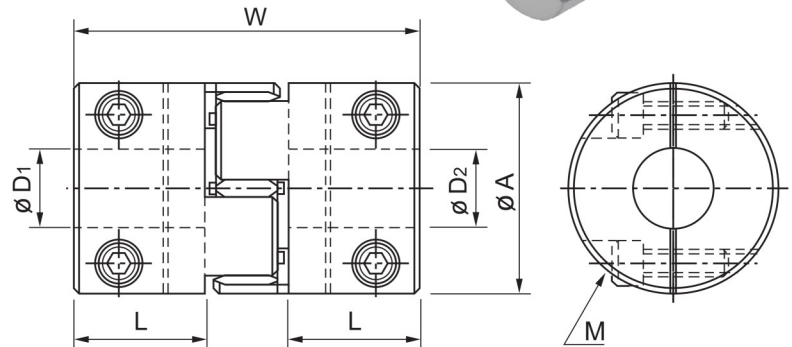


MTC-C Flex couplings

- **Body material** : Aluminum alloy
- **Buffer material** : PU (hardness:red/95 Sh A)
- **Surface Treatment** : Anodizing standard white

■ Features

- High torque
- High rigid
- Great shock resistance
- Suitable for general transmission , high inertia and cutting mechanism.
- **Fixed mode** : Clamp type



DIMENSION

unit:mm

Product No	A	L	W	Stock Bores D1xD2 (H8)		M
				Min D1	Max D2	
MTC-30C-RD	30	11	35	6	12	M4
MTC-40C-RD	40	25	66	8	16	M5
MTC-55C-RD	55	30	78	10	25	M6
MTC-65C-RD	65	35	90	12	35	M8

SPECIFICATIONS

*Max. Bore Moment of Inertia

**Max. Bore Mass

Product No	Rated Torque (N.m)	Max. Torque (N.m)	Max. Rotational Frequency. (min ⁻¹)	Moment* of Inertia (kg.m ²)	Error of Eccentricity (mm)	Errors of Angularity (°)	Errors of Shaft End-play (mm)	Mass** (g)
MTC-30C-RD	12.5	25	5100	6.2X10 ⁻⁶	0.10	1°	± 1.0	50
MTC-40C-RD	17	34	3800	3.9X10 ⁻⁵	0.10	1°	± 1.2	160
MTC-55C-RD	60	120	2800	1.6X10 ⁻⁴	0.10	1°	± 1.4	330
MTC-65C-RD	160	320	2350	3.8X10 ⁻⁴	0.10	1°	± 1.5	560

■ When Ordering

When Placing an order, make sure to include product No. and stock bores (both sides) of product.

MTC-30C-RD-φ8 – φ10 Product No : D1 D2