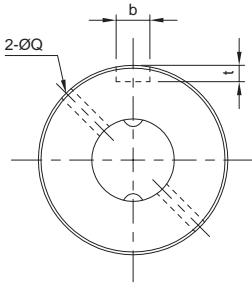
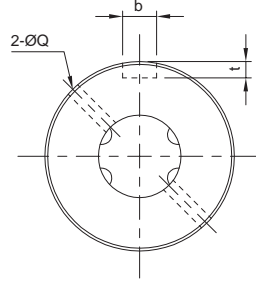


SLT Series Specifications



< Two row >

Shaft diameter $d \leq 20$



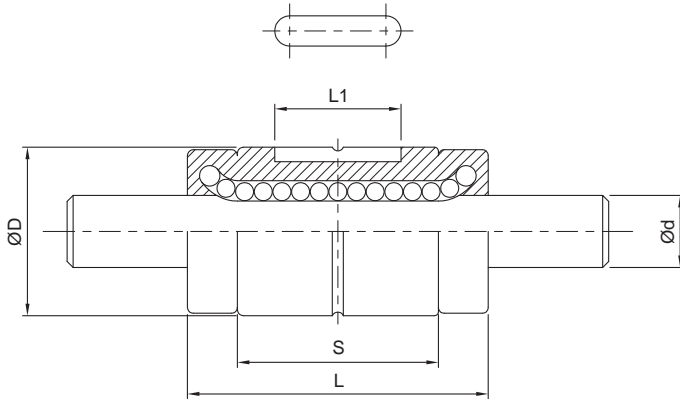
< Four row >

Shaft diameter $d \geq 25$

| Model No. | Diameter | | Row | Spline Nut Dimension | | | | Keyway Dimensions | | |
|-----------|----------|----|-----|----------------------|-----|------|------|-------------------|-----|-------------|
| | d | h7 | | D | L | S | L1 | Oil Hole | b | t |
| | | | | | | | | Q | H8 | +0.05 ~0 |
| SLT006 | 6 | | 2 | 14 | 25 | 16.7 | 10.5 | 1 | 2.5 | 1.2 |
| SLT008 | 8 | | 2 | 16 | 27 | 15.7 | 10.5 | 1.5 | 2.5 | 1.2 |
| SLT010 | 10 | | 2 | 21 | 33 | 20 | 13 | 1.5 | 3 | 1.5 |
| SLT013 | 13 | | 2 | 24 | 36 | 23 | 15 | 1.5 | 3 | 1.5 |
| SLT016 | 16 | | 2 | 31 | 50 | 34 | 17.5 | 2 | 3.5 | 2 |
| SLT020 | 20 | | 2 | 35 | 56 | 39.7 | 29 | 2 | 4 | 2.5 |
| SLT025 | 25 | | 4 | 42 | 71 | 50.3 | 36 | 3 | 4 | 2.5 |
| SLT030 | 30 | | 4 | 47 | 80 | 60 | 42 | 3 | 4 | 2.5 |
| SLT040 | 40 | | 4 | 64 | 100 | 70 | 52 | 4 | 6 | 3.5 |
| SLT050 | 50 | | 4 | 80 | 125 | 91 | 58 | 4 | 8 | 4 |

TBI MOTION BALL SPLINE

3-1 Nominal Model Code of Ball Spline SL Series



| Model No. | Basic Load Rating | | Basic Torsion | | Static Permissible Moment | | Mass | |
|-----------|-------------------|------|---------------|---------|---------------------------|---------|------------|--------------|
| | C | C0 | CT | C0T | MA1 | MA2 | Spline Nut | Spline Shaft |
| | kgf | kgf | kgf · m | kgf · m | kgf · m | kgf · m | g | kg/m |
| SLT006 | 137 | 225 | 0.46 | 0.76 | 0.39 | 3.48 | 14 | 0.22 |
| SLT008 | 137 | 225 | 0.60 | 0.99 | 0.39 | 3.82 | 16 | 0.39 |
| SLT010 | 285 | 397 | 1.62 | 2.25 | 0.95 | 8.53 | 37 | 0.60 |
| SLT013 | 396 | 540 | 2.89 | 3.94 | 1.50 | 12.46 | 52 | 1.03 |
| SLT016 | 545 | 849 | 4.77 | 7.43 | 3.71 | 26.09 | 130 | 1.56 |
| SLT020 | 724 | 1109 | 7.90 | 12.09 | 5.53 | 38.00 | 188 | 2.44 |
| SLT025 | 1003 | 1593 | 21.99 | 43.01 | 10.35 | 68.59 | 285 | 3.80 |
| SLT030 | 1160 | 1960 | 30.26 | 62.93 | 15.68 | 93.27 | 395 | 5.49 |
| SLT040 | 2972 | 4033 | 105.37 | 176.05 | 36.59 | 264.34 | 843 | 9.69 |
| SLT050 | 4086 | 5615 | 179.89 | 304.35 | 51.58 | 428.72 | 1758 | 15.19 |